

CAM AND GROOVE FITTINGS

A cam and groove coupling, also called a "camlock" fitting, is a form of hose coupling popular because it is a simple and reliable means of connecting and disconnecting quickly and without tools.

The cams at the end of each lever on the female end align with a circumferential groove on the male end. When the levers are rotated to the locked position, they pull the male end into the female socket, creating a tight seal up against a gasket. The arms lock into position using an over-center arrangement, preventing accidental decoupling. Because the groove is cut all the way around the male end, there is no specific alignment necessary to couple as there would be with threaded connectors, and there is no opportunity for cross-threading. This results in an error-resistant, faster coupling operation. Because the compression between the two fittings is limited by the size of the cams on the end of the levers and the rotation of the levers themselves, there is also no possibility of over- or under-tightening the fitting; the pressure against the sealing gasket is effectively constant from one coupling operation to the next, reducing possibility of leaks.

Because there are no threads to become fouled, cam and groove couplings are popular in moderately dirty environments, such as septic tank pump trucks and chemical / fuel tanker trucks.

A cam and groove fitting can be used in a system where rapid filling of chemical drums takes place. It can be used by factories that have needs of dye, paint and ink medium transfers. It is used where frequent changes of hoses are required to find the right mix. It is also suitable for petroleum trucks, etc.

Note: Cam and groove couplings are not recommended for any type of compressed gas service, including steam.

GENERAL SPEAKING, THE MOST COMMON TYPES OF CAM AND GROOVE COUPLING ARE THESE:

- **TYPE A:** adapter (male camlock) X female thread
- **TYPE B:** coupler (female camlock) X male thread
- **TYPE C:** coupler (female camlock) X shank
- **TYPE D:** coupler (female camlock) X female thread
- **TYPE E:** adapter (male camlock) X shank
- **TYPE F:** adapter (male camlock) X male thread
- **DUST CAP:** covers & seals adapter (male camlock) end
- **DUST PLUG:** covers & seals coupler (female camlock) end

Additional materials (hardcoat aluminum, carbon steel, food grade, nylon, and more) are also available. Additional configuration can be custom made. Please call regarding any item or spare part not seen here.

Parts denoted with an * may be welded.

Drawings and pressure chart follow part listings.

BASIC FITTINGS & DIMENSIONS PART A

PART A - ADAPTER X FEMALE THREAD

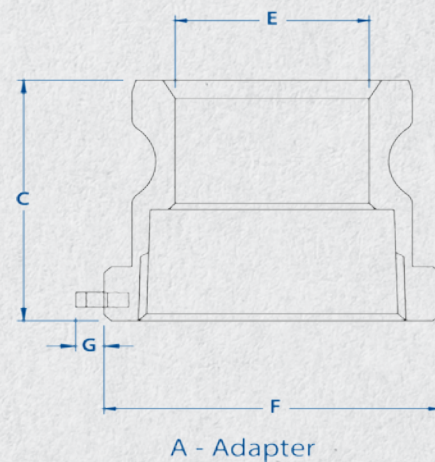


GENERAL DIMENSIONS

REF	DESCRIPTION	E05	5	3/4"	1"	1 1/4"	1 1/2"	2"	2 1/2"	3"	4"	5"	6"	8"	10"	12"
	COUPLER OR ADAPTER SIZE	0.5	0.75	0.75	1	1.25	1.5	2	2.5	3	4	5	6	8	10	12
	THREAD SIZE	0.5	0.5	0.75	1	1.25	1.5	2	2.5	3	4	5	6	8	10	12
C	OVERALL LENGTH (in)	1.6	1.62	1.62	1.91	2.16	2.29-	2.54	2.75	2.84	3.16	3.22	3.35	4.5	4.5	4.38
E	INSIDE DIAMETER (in)	0.53	0.66	0.75	0.88	1.04	1.35-	1.72	2.14	2.8	3.78	4.79	5.99	7.8	10.1	12
F	ACROSS CORNERS (in)	1.12	1.49	1.49	1.76	2.19	2.44	2.92	3.49	4.22	5.41	6.49	7.7	10.23	12.79	14.75
G	CHAIN LUG EXTENSION (in)	N/A	N/A	N/A	0.34	0.34	0.33	0.31	0.27	0.44	0.39	0.35	0.6	0.6	0.6	0.6

STANDARD PARTS

SIZE	PART NAME	ALUMINUM ITEM #	BRASS ITEM #	STAINLESS STEEL ITEM #	POLYPROPYLENE ITEM #
1/2"	E05A	1000101	1200101	1400101	CALL
3/4" x 1/2"	1/2A	1000105	1200105	1400105	CALL
3/4"	07A	1000107	1200107	1400107	2700107
1"	10A	1000110	1200110	1400110	2700110
1 1/4"	12A	1000112	1200112	1400112	2700112
1 1/2"	15A	1000115	1200115	1400115	2700115
2"	20A	1000120	1200120	1400120	2700120
2 1/2"	25A	1000125	1200125	1400125	CALL
3"	30A	1000130	1200130	1400130	2700130
4"	40A	1000140	1200140	1400140	2700140
5"	50A	1000150	1200150	1400150	CALL
6"	60A	1000160	1200160	1400160	CALL
8"	80A	1000180	1200180	1400180	CALL
10"	100A	1000190	1200190	1400190	CALL
12"	120A	1000192	CALL	1400192	CALL



* RAGCO supports the autonomy of its locations to select the best products to service their markets. Subtle variations of these specifications may exist. Contact your RAGCO affiliate for confirmation.

CAM & GROOVE FITTINGS CONTINUED

BASIC FITTINGS & DIMENSIONS PART B

PART B - COUPLER X MALE THREAD

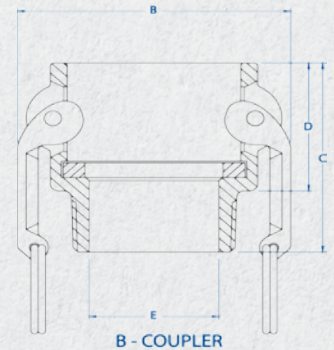


GENERAL DIMENSIONS

REF	DESCRIPTION	E05	5	3/4"	1"	1 1/4"	1 1/2"	2"	2 1/2"	3"	4"	5"	6"	8"	10"	12"
A	COUPLER OR ADAPTER SIZE	0.5	0.75	0.75	1	1.25	1.5	2	2.5	3	4	5	6	8	10	12
	THREAD SIZE	0.5	0.5	0.75	1	1.25	1.5	2	2.5	3	4	5	6	8	10	12
A	O.D. WITH CAM ARMS EXTENDED in	4.21	4.51	4.51	5.1	6.86	7.16	7.54	8.03	9.56	10.66	11.67	16.26	18.23	20.66	22.72
B	OUTSIDE DIAMETER in	1.82	2.11	2.11	2.44	3.26	3.56	3.94	4.43	5.46	6.56	7.57	10.16	12.13	14.56	16.62
C	OVERALL LENGTH in	2.1	2.1	2.1	2.5	2.89	2.93	3.2	3.63	3.82	4	4.2	4.52	4.8	5.5	5.7
D	EXPOSED LENGTH in	1.25	1.25	1.25	1.56	1.84	1.88	2.15	2.18	2.27	2.34	2.44	2.62	2.72	3.2	3.2
E	INSIDE DIAMETER in	0.56	0.56	0.78	0.97	1.25	1.5	1.88	2.38	2.88	3.6	4.5	5.6	7.5	9.4	11.4

STANDARD PARTS

		ALUMINUM/ STAINLESS HANDLES	ALUMINUM/ BRASS HANDLES	BRASS/ STAINLESS HANDLES	BRASS/ BRASS HANDLES	STAINLESS STEEL	POLYPROPYLENE
SIZE	PART NAME	ITEM #	ITEM #	ITEM #	ITEM #	ITEM #	ITEM #
1/2"	E05B	1000201	1070201	1290201	1200201	1400201	CALL
3/4" x 1/2"	1/2B	1000205	1070205	1290205	1200205	1400205	CALL
3/4"	07B	1000207	1070207	1290207	1200207	1400207	2700207
1"	10B	1000210	1070210	1290210	1200210	1400210	2700210
1 1/4"	12B	1000212	1070212	1290212	1200212	1400212	2700212
1 1/2"	15B	1000215	1070215	1290215	1200215	1400215	2700215
2"	20B	1000220	1070220	1290220	1200220	1400220	2700220
2 1/2"	25B	1000225	1070225	1290225	1200225	1400225	CALL
3"	30B	1000230	1070230	1290230	1200230	1400230	2700230
4"	40B	1000240	1070240	1290240	1200240	1400240	CALL
5"	50B	1000250	1070250	1290250	1200250	1400250	CALL
6"	60B	1000260	1070260	CALL	1200260	1400260	CALL
8"	80B	1000280	1070280	CALL	1200280	1400280	CALL
10"	100B	1000290	1070290	CALL	1200290	CALL	CALL
12"	120B	1000292	1070292	CALL	CALL	CALL	CALL



CAM AND GROOVE FITTINGS CONTINUED

BASIC FITTINGS & DIMENSIONS PART C

PART C - COUPLER X HOSE SHANK

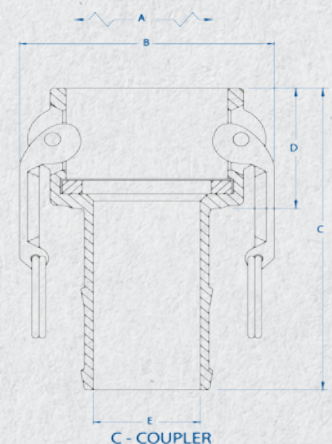


GENERAL DIMENSIONS

REF	DESCRIPTION	E05	5	3/4"	1"	1 1/4"	1 1/2"	2"	2 1/2"	3"	4"	5"	6"	8"	10"	12"
A	COUPLER OR ADAPTER SIZE	0.5	0.75	0.75	1	1.25	1.5	2	2.5	3	4	5	6	8	10	12
	HOSE SHANK SIZE	0.5	0.5	0.75	1	1.25	1.5	2	2.5	3	4	5	6	8	10	12
B	O.D. WITH CAM ARMS EXTENDED in	4.21	4.51	4.51	5.1	6.86	7.16	7.54	8.03	9.56	10.66	11.67	16.26	18.23	20.66	22.72
C	OUTSIDE DIAMETER in	1.82	2.11	2.11	2.44	3.26	3.56	3.94	4.43	5.46	6.56	7.57	10.16	12.13	14.56	16.62
D	OVERALL LENGTH in	2.69	2.7	3.55	4.06	4.44	4.82	5.53	5.93	6.32	6.64	7.24	9.5	9.5	12	12
E	EXPOSED LENGTH in	1.25	1.25	1.25	1.56	1.84	1.88	2.15	2.18	2.27	2.34	2.44	2.7	2.72	3.2	3.3
F	INSIDE DIAMETER in	0.38	0.38	0.53	0.78	0.97	1.22	1.71	2.16	2.65	3.53	4.53	5.53	7.53	9.4	11.4

STANDARD PARTS

		ALUMINUM/ STAINLESS STEEL HANDLES	ALUMINUM/ BRASS HANDLES	BRASS/ STAINLESS STEEL HANDLES	BRASS/ BRASS HANDLES	STAINLESS STEEL	POLYPROPYLENE
SIZE	PART NAME	ITEM #	ITEM #	ITEM #	ITEM #	ITEM #	ITEM #
1/2"	E05C	1000301	1070301	1290301	1200301	1400301	CALL
3/4" x 1/2"	1/2C	1000305	1070305	CALL	1200305	CALL	CALL
3/4"	07C	1000307	1070307	1290307	1200307	1400307	2700307
1"	10C	1000310	1070310	1290310	1200310	1400310	2700310
1 1/4"	12C	1000312	1070312	1290312	1200312	1400312	2700312
1 1/2"	15C	1000315	1070315	1290315	1200315	1400315	2700315
2"	20C	1000320	1070320	1290320	1200320	1400320	2700320
2 1/2"	25C	1000325	1070325	1290325	1200325	1400325	CALL
3"	30C	1000330	1070330	1290330	1200330	1400330	2700330
4"	40C	1000340	1070340	1290340	1200340	1400340	2700340
5"	50C	1000350	1070350	1290350	1200350	1400350	CALL
6"	60C	1000360	1070360	CALL	1200360	1400360	CALL
8"	80C	1000380	1070380	CALL	1200380	1400380	CALL
10"	100C	1000390	1070390	CALL	1200390	1400390	CALL
12"	120C	1000392	1070392	CALL	CALL	1400392	CALL



* RAGCO supports the autonomy of its locations to select the best products to service their markets. Subtle variations of these specifications may exist. Contact your RAGCO affiliate for confirmation.

CAM & GROOVE FITTINGS CONTINUED

BASIC FITTINGS & DIMENSIONS PART D

PART D - COUPLER X FEMALE THREAD

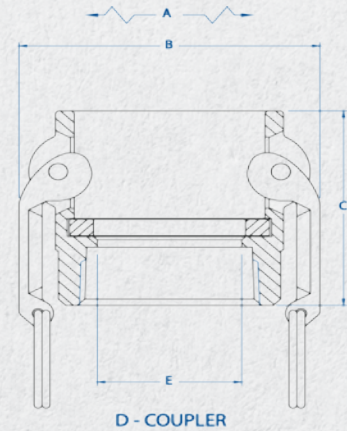


GENERAL DIMENSIONS

REF	DESCRIPTION	E05	5	3/4"	1"	1 1/4"	1 1/2"	2"	2 1/2"	3"	4"	5"	6"	8"	10"	12"
A	COUPLER OR ADAPTER SIZE	0.5	0.75	0.75	1	1.25	1.5	2	2.5	3	4	5	6	8	10	12
	THREAD SIZE	0.5	0.5	0.75	1	1.25	1.5	2	2.5	3	4	5	6	8	10	12
A	O.D. WITH CAM ARMS EXTENDED in	4.21	4.51	4.51	5.1	6.86	7.16	7.54	8.03	9.56	10.66	11.67	16.26	18.23	20.66	22.72
B	OUTSIDE DIAMETER in	1.82	2.11	2.11	2.44	3.26	3.56	3.94	4.43	5.46	6.56	7.57	10.16	12.13	14.56	16.62
C	OVERALL LENGTH in	2	2.1	2.1	2.5	2.7	2.8	3.1	3.4	3.5	3.9	4.1	4.4	4.8	5.5	5.7
E	INSIDE DIAMETER in	0.67	0.67	0.88	0.97	1.25	1.5	1.88	2.38	2.88	3.6	4.5	5.5	7.5	9.4	11.4

STANDARD PARTS

SIZE	PART NAME	ALUMINUM/ STAINLESS STEEL HANDLES	ALUMINUM/ BRASS HANDLES	BRASS/ STAINLESS STEEL HANDLES	BRASS/ BRASS HANDLES	STAINLESS STEEL	POLYPROPYLENE
SIZE	PART NAME	ITEM #	ITEM #	ITEM #	ITEM #	ITEM #	ITEM #
1/2"	E05D	1000401	1070401	1290401	1200401	1400401	CALL
3/4" x 1/2"	1/2D	1000405	1070405	1290405	1200405	1400405	CALL
3/4"	07D	1000407	1070407	1290407	1200407	1400407	2700407
1"	10D	1000410	1070410	1290410	1200410	1400410	2700410
1 1/4"	12D	1000412	1070412	1290412	1200412	1400412	2700412
1 1/2"	15D	1000415	1070415	1290415	1200415	1400415	2700415
2"	20D	1000420	1070420	1290420	1200420	1400420	2700420
2 1/2"	25D	1000425	1070425	1290425	1200425	1400425	CALL
3"	30D	1000430	1070430	1290430	1200430	1400430	2700430
4"	40D	1000440	1070440	1290440	1200440	1400440	CALL
5"	50D	1000450	1070450	1290450	1200450	1400450	CALL
6"	60D	1000460	1070460	CALL	1200460	1400460	CALL
8"	80D	1000480	1070480	CALL	1200480	1400480	CALL
10"	100D	1000490	1070490	CALL	1200490	1400490	CALL
12"	120D	1000492	1070492	CALL	CALL	1400492	CALL



D - COUPLER

CAM AND GROOVE FITTINGS CONTINUED

BASIC FITTINGS & DIMENSIONS PART E

PART E - ADAPTER X HOSE SHANK

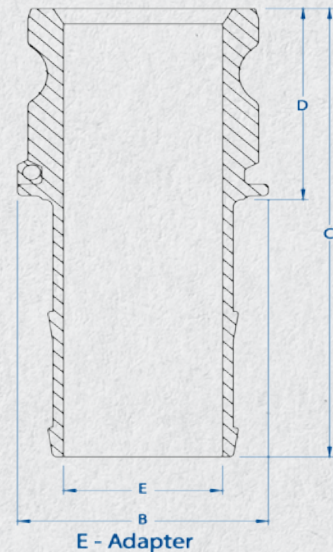


GENERAL DIMENSIONS

REF	DESCRIPTION	E05	5	3/4"	1"	1 1/4"	1 1/2"	2"	2 1/2"	3"	4"	5"	6"	8"	10"	12"
	COUPLER OR ADAPTER SIZE	0.5	0.75	0.75	1	1.25	1.5	2	2.5	3.00	4	5	6	8	10	12
	HOSE SHANK SIZE	0.5	0.5	0.75	1	1.25	1.5	2	2.5	3	4	5	6	8	10	12
B	OUTSIDE DIAMETER in	0.96	1.26	1.26	1.63	2	2.14	2.64	3.07	3.7	4.71	6.56	7.1	9.1	11.37	13.46
C	OVERALL LENGTH in	2.56	3.21	3.78	4.3	4.9	5.1	5.75	6.63	6.88	7.2	7.56	10.1	10.1	11.7	11.7
D	EXPOSED LENGTH in	1.11	1.46	1.46	1.8	2.36	2.15	2.4	2.47	2.53	2.6	2.81	3.3	3.3	2.88	2.88
E	INSIDE DIAMETER in	0.38	0.35	0.53	0.88	0.97	1.19	1.68	2.13	2.62	3.5	4.53	5.53	7.53	9.4	11.4

STANDARD PARTS

		ALUMINUM	BRASS	STAINLESS STEEL	POLYPROPYLENE
SIZE	PART NAME	ITEM #	ITEM #	ITEM #	ITEM #
1/2"	E05E	1000501	1200501	1400501	CALL
3/4" x 1/2"	1/2E	CALL	1200505	1400505	CALL
3/4"	07E	1000507	1200507	1400507	2700507
1"	10E	1000510	1200510	1400510	2700510
1 1/4"	12E	1000512	1200512	1400512	2700512
1 1/2"	15E	1000515	1200515	1400515	2700515
2"	20E	1000520	1200520	1400520	2700520
2 1/2"	25E	1000525	1200525	1400525	CALL
3"	30E	1000530	1200530	1400530	2700530
4"	40E	1000540	1200540	1400540	2700540
5"	50E	1000550	1200550	1400550	CALL
6"	60E	1000560	1200560	1400560	CALL
8"	80E	1000580	1200580	1400580	CALL
10"	100E	1000590	CALL	1400590	CALL
12"	120E	1000592	CALL	CALL	CALL



* RAGCO supports the autonomy of its locations to select the best products to service their markets. Subtle variations of these specifications may exist. Contact your RAGCO affiliate for confirmation.

CAM & GROOVE FITTINGS CONTINUED

BASIC FITTINGS & DIMENSIONS PART F

PART F - ADAPTER X MALE THREAD

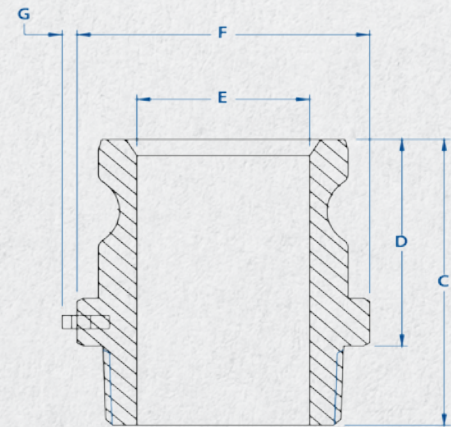


GENERAL DIMENSIONS

REF	DESCRIPTION	E05	5	3/4"	1"	1 1/4"	1 1/2"	2"	2 1/2"	3"	4"	5"	6"	8"	10"	12"
C	COUPLER OR ADAPTER SIZE	0.5	0.75	0.75	1	1.25	1.5	2	2.5	3	4	5	6	8	10	12
	THREAD SIZE	0.5	0.5	0.75	1	1.25	1.5	2	2.5	3	4	5	6	8	10	12
D	OVERALL LENGTH in	1.96	2.47	2.47	2.89	3.23	3.29	3.57	4.18	4.37	4.79	4.91	5.2	5.9	6.75	7.2
E	EXPOSED LENGTH in	1.26	1.67	1.67	1.99	2.23	2.31	2.57	2.78	2.87	3.19	3.21	3.4	3.9	4.38	4.8
F	INSIDE DIAMETER in	0.53	0.56	0.75	0.85	1.04	1.34	1.72	2.14	2.8	3.78	4.79	5.84	7.8	9.88	12
F	MAX. ACROSS CORNERS in	1.12	1.42	1.42	1.75	2.16	2.44	2.84	3.45	4.07	5.27	6.39	7.7	10	11.87	14.1
G	CHAIN LUG EXTENSION in	N/A	N/A	N/A	0.34	0.34	0.3	0.28	0.29	0.44	0.4	0.16	0.6	0.6	0.6	0.6

STANDARD PARTS

		ALUMINUM	BRASS	STAINLESS STEEL	POLYPROPYLENE
SIZE	PART NAME	ITEM #	ITEM #	ITEM #	ITEM #
1/2"	E05F	1000601	1200601	1400601	CALL
3/4" x 1/2"	1/2F	1000605	1200605	1400605	CALL
3/4"	07F	1000607	1200607	1400607	2700607
1"	10F	1000610	1200610	1400610	2700610
1 1/4"	12F	1000612	1200612	1400612	2700612
1 1/2"	15F	1000615	1200615	1400615	2700615
2"	20F	1000620	1200620	1400620	2700620
2 1/2"	25F	1000625	1200625	1400625	CALL
3"	30F	1000630	1200630	1400630	2700630
4"	40F	1000640	1200640	1400640	CALL
5"	50F	1000650	1200650	1400650	CALL
6"	60F	1000660	1200660	1400660	CALL
8"	80F	1000680	1200680	1400680	CALL
10"	100F	1000690	1200690	1400690	CALL
12"	120F	1000692	CALL	1400692	CALL



F - Adapter

CAM AND GROOVE FITTINGS CONTINUED

BASIC FITTINGS & DIMENSIONS PART V

PART V - DUST CAP

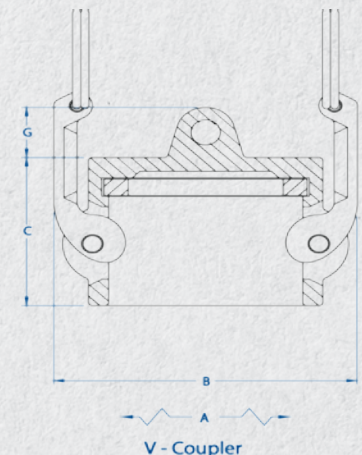


GENERAL DIMENSIONS

REF	DESCRIPTION	E05	5	3/4"	1"	1 1/4"	1 1/2"	2"	2 1/2"	3"	4"	5"	6"	8"	10"	12"
A	COUPLER OR ADAPTER SIZE	0.5	N/A	0.75	1	1.25	1.5	2	2.5	3	4	5	6	8	10	12
	O.D. WITH CAM ARMS EXTENDED in	4.21	N/A	4.51	5.1	6.86	7.16	7.54	8.03	9.56	10.66	11.67	16.26	18.23	20.66	22.72
B	OUTSIDE DIAMETER in	1.82	N/A	2.11	2.44	3.26	3.56	3.94	4.43	5.46	6.56	7.57	10.16	12.13	14.56	16.62
C	OVERALL LENGTH in	1.3	N/A	1.35	1.6	1.89	1.96	2.25	2.28	2.27	2.34	2.44	2.76	2.72	3.3	3.5
G	CHAIN LUG EXTENSION in	0.5	N/A	0.5	0.62	0.6	0.86	0.76	0.9	1.03	0.99	1.15	1.14	1.18	1.3	1.3

STANDARD PARTS

SIZE	PART NAME	ALUMINUM/ STAINLESS STEEL HANDLES	ALUMINUM/ BRASS HANDLES	BRASS/ STAINLESS STEEL HANDLES	BRASS/ BRASS HANDLES	STAINLESS STEEL	POLYPROPYLENE
SIZE	PART NAME	ITEM #	ITEM #	ITEM #	ITEM #	ITEM #	ITEM #
1/2"	E05V	1001101	1071101	1291101	1201101	1401101	CALL
3/4"	07V	1001107	1071107	1291107	1201107	1401107	CALL
1"	10V	1001110	1071110	1291110	1201110	1401110	2701107
1 1/4"	12V	1001112	1071112	1291112	1201112	1401112	2701110
1 1/2"	15V	1001115	1071115	1291115	1201115	1401115	2701112
2"	20V	1001120	1071120	1291120	1201120	1401120	2701115
2 1/2"	25V	1001125	1071125	1291125	1201125	1401125	CALL
3"	30V	1001130	1071130	1291130	1201130	1401130	2701120
4"	40V	1001140	1071140	1291140	1201140	1401140	2701130
5"	50V	1001150	1071150	CALL	1201150	1401150	2701140
6"	60V	1001160	1071160	CALL	1201160	1401160	CALL
8"	80V	1001180	1071180	CALL	1201180	1401180	CALL
10"	100V	1001190	1071190	CALL	1201190	1401190	CALL
12"	120V	1001192	1071192	CALL	1201192	1401192	CALL
12"	120C	1000392	1070392	CALL	CALL	1400392	CALL



* RAGCO supports the autonomy of its locations to select the best products to service their markets. Subtle variations of these specifications may exist. Contact your RAGCO affiliate for confirmation.

BASIC FITTINGS & DIMENSIONS PART W

PART W - DUST PLUG

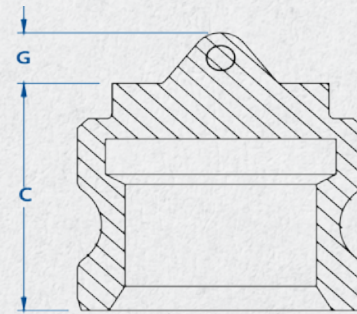


GENERAL DIMENSIONS

REF	DESCRIPTION	E05	5	3/4"	1"	1 1/4"	1 1/2"	2"	2 1/2"	3"	4"	5"	6"	8"	10"	12"
C	COUPLER OR ADAPTER SIZE	0.5	N/A	0.75	1	1.25	1.5	2	2.5	3	4	5	6	8	10	12
	OVERALL LENGTH in	1.06	N/A	1.41	1.35	1.94	2.06	1.9	2.44	2.03	2.1	2.63	2.28	2.28	3	2.88
G	CHAIN LUG EXTENSION in	0.5	N/A	0.59	0.96	0.62	0.5	0.7	0.81	1	1	0.85	1	1.18	0.9	0.5

STANDARD PARTS

SIZE	PART NAME	ALUMINUM	BRASS	STAINLESS STEEL	POLYPROPYLENE
1/2"	E05W	1001201	1201201	1401201	CALL
3/4"	07W	1001207	1201207	1401207	CALL
1"	10W	1001210	1201210	1401210	2701207
1 1/4"	12W	1001212	1201212	1401212	2701210
1 1/2"	15W	1001215	1201215	1401215	2701212
2"	20W	1001220	1201220	1401220	2701215
2 1/2"	25W	1001225	1201225	1401225	CALL
3"	30W	1001230	1201230	1401230	2701220
4"	40W	1001240	1201240	1401240	2701230
5"	50W	1001250	1201250	1401250	2701240
6"	60W	1001260	1201260	1401260	CALL
8"	80W	1001280	1201280	1401280	CALL
10"	100W	1001290	1201290	1401290	CALL
12"	120W	1001292	CALL	CALL	CALL



W - Adapter

PRESSURE RATING CHART

MATERIAL	GASKET	SIZE	MAX. ALLOWABLE WORKING PRESSURE (PSI)
Metal	Standard gaskets are Buna; any variation must be specified	½", ¾ x ½", ¾", 1", 1¼", 1½", 2"	250
		2½", 3"	200
		4"	150
		5", 6"	75
		8", 10", 12"	50
Non-Metal	Standard gaskets are Buna; any variation must be specified	¾", 1", 1¼", 1½", 2"	100
		3", 4"	50

45- & 90-DEGREE FITTINGS

90-DEGREE PART A

ADAPTER X FEMALE NPT THREAD		ALUMINUM	BRASS	STAINLESS STEEL	POLYPROPYLENE
SIZE	PART NAME	ITEM #	ITEM #	ITEM #	ITEM #
1-1/4"	12LA	CALL	62491200	CALL	CALL
1-1/2"	15LA	60491500	62491500	CALL	67491500
2"	20LA	60492000	CALL	CALL	67492000
3"	30LA	60493000	CALL	64493000	CALL



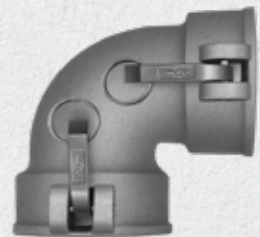
45- & 90-DEGREE COUPLER X ADAPTER

COUPLER X ADAPTER		ALUMINUM/HBS	ALUMINUM/HB	BRASS	STAINLESS STEEL
SIZE	PART NAME	ITEM #	ITEM #	ITEM #	ITEM #
2"	20CAL - 90 Deg	60502120	CALL	62502120	64504120
3"	30CAL - 90 Deg	60503130	605000066	62503130	64503130
3"	30CAL - 45 Deg	6050313045	6050313046	62503131	64504130
4"	40CAL - 90 Deg	60504140	605000068	62504140	64504140
4"	40CAL - 45 Deg	60504145	60504147	62504141	64505153
8"	80CAL - 90 Deg	CALL	60504181H*	CALL	CALL



45- & 90-DEGREE COUPLER X COUPLER

COUPLER X COUPLER		ALUMINUM/STAINLESS STEEL HANDLES	ALUMINUM/BRASS HANDLES	BRASS	STAINLESS STEEL
SIZE	PART NAME	ITEM #	ITEM #	ITEM #	ITEM #
2"	20DDL - 90 Deg	60502220*	CALL	CALL	CALL
3"	30DDL - 90 Deg	60503230*	CALL	CALL	64503230
4"	40DDL - 90 Deg	60504240	605000069	62504240	64504240
4" x 3"	40X30DDL - 90 Deg	CALL	CALL	CALL	64504230
6" X 3"	60X30DDL-90 Deg	60506230*	CALL	CALL	64506260*
6"	60DDLHD - 90 Deg	60506260	CALL	CALL	CALL



CAM AND GROOVE FITTINGS CONTINUED

45- & 90-DEGREE FITTINGS CONTINUED

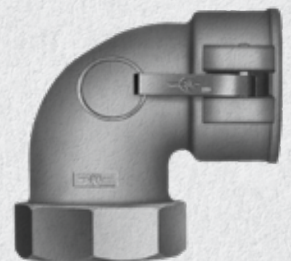
90-DEGREE PART C

COUPLER X HOSE SHANK		ALUMINUM/ STAINLESS STEEL HANDLES	ALUMINUM/ BRASS HANDLES	BRASS	STAINLESS STEEL	POLYPROPYLENE
SIZE	PART NAME	ITEM #	ITEM #	ITEM #	ITEM #	ITEM #
1"	10CL	60501000	6050000061	62501000	64501000	CALL
1-1/4"	12CL	60501200	6050000062	62501200	64501200	CALL
1-1/4" x 1-1/2"	12X15CL	CALL	CALL	62501215	CALL	CALL
1-1/2"	15CL	60501500	6050000063	62501500	64501500	67501500
2"	20CL	60502000	6050000064	62502000	64502000	67502000
2-1/2"	25CL	CALL	CALL	62502500	CALL	CALL
3"	30CL	60503000	6050000065	62503000	64503000	CALL
4"	40CL	60504000	6050000067	62504000	64504000	CALL
6"	60CL	CALL	60506000	62506000	64506000	CALL



45- & 90-DEGREE PART D

COUPLER X FEMALE NPT THREAD		ALUMINUM/ STAINLESS STEEL HANDLES	ALUMINUM/ BRASS HANDLES	BRASS	STAINLESS STEEL	POLYPROPYLENE
SIZE	PART NAME	ITEM #	ITEM #	ITEM #	ITEM #	ITEM #
1"	10LD	60481000	6048000062	62481000	64481000	CALL
1-1/4"	12LD	CALL	CALL	62481200	CALL	CALL
1-1/2"	15LD	60481500	6048000063	62481500	64481500	67481500
2"	20LD	60482000	6048000005	62482000	64482000	67482000
2-1/2"	25LD	60482500	6048000103	62482500	CALL	CALL
3"	30LD	60483000	6048000060	62483000	64483000	CALL
3" w/45°	30LD - 45 Deg	60483000SP	CALL	CALL	CALL	CALL
4"	40LD	60484000	6048000061	62484000	64484000	CALL
6"	60LD	60486000	CALL	62486000	64486000	CALL
10"	100LD	CALL	CALL	CALL	64481090	CALL



* RAGCO supports the autonomy of its locations to select the best products to service their markets. Subtle variations of these specifications may exist. Contact your RAGCO affiliate for confirmation.

REDUCER FITTINGS

PART A REDUCER

		ALUMINUM	BRASS	STAINLESS STEEL
SIZE	PART NAME	ITEM #	ITEM #	ITEM #
3/4" x 1"	07X10A	60220710	CALL	CALL
1" x 1/2"	10X05A	CALL	CALL	64141001
1" x 1-1/2"	10X15A	60141015	CALL	64141015
1-1/2" x 1"	15X10A	60141510	62141510	64141510
1-1/2" x 1-1/4"	15X12A	CALL	62141512	64141512
1-1/2" x 2"	15X20A	60141520	62141520	64141520
2" x 1-1/4"	20X12A	60142012*	CALL	CALL
2" x 1-1/2"	20X15A	60142015	62142015	64142015
2" x 2-1/2"	20X25A	60142025	62142025	64142025
2" x 3"	20X30A	60142030	62142030	64142030
2" x 4"	20X40A	60142040*	CALL	64142040*
2-1/2" x 1-1/2"	25X15A	60142515	CALL	CALL
2-1/2" x 2"	25X20A	60142520	62142520	64142520
2-1/2" x 3"	25X30A	60142530	62142530	64142530
2-1/2" x 4"	25X40A	60142540	62142540	CALL
3" x 1"	30X10A	CALL	CALL	CALL
3" x 2"	30X20A	60143020	62143020	64143020
3" x 2-1/2"	30X25A	60143025	62143025	CALL
3" x 4"	30X40A	60143040	62143040	64143040
4" x 2"	40X20A	CALL	CALL	64144020*
4" x 2-1/2"	40X25A	60144025	62144025	CALL
4" x 3"	40X30A	60144030	62144030	64144030
4" x 5"	40X50A	60144050	CALL	64144050
5" x 3"	50X30A	60145030	CALL	64145030



PART B REDUCER

		ALUMINUM	BRASS
SIZE	PART NAME	ITEM #	ITEM #
1" x 2"	10X20B	60181020	CALL
1-1/2" x 1"	15X10B	60181510	62181510
1-1/2" x 2"	15X20B	60181520	CALL
2" x 1"	20X10B	CALL	62182010
2" x 1-1/2"	20X15B	60182015	62182015
2" x 2-1/2"	20X25B	60182025*	CALL
2" x 3"	20X30B	60182030	CALL
2-1/2" x 2"	25X20B	60182520	62182520
2-1/2" x 3"	25X30B	60182530	CALL
3" x 2"	30X20B	60183020	62183020
3" x 2-1/2"	30X25B	60183025	62183025
3" x 4"	30X40B	60183040	62183040
4" x 2"	40X20B	60184020	CALL
4" x 2-1/2"	40X25B	60184025	62184025
4" x 3"	40X30B	60184030	62184030
5" x 3"	50X30B	60185030*	CALL
5" x 4"	50X40B	60185040*	CALL
8" x 6"	80X60B	60188060*	CALL
8" x 10"	80X100B	CALL	CALL
10" x 8"	100X80B	CALL	CALL

		STAINLESS STEEL
SIZE	PART NAME	ITEM #
1" x 3/4"	10X07B	64181007
1" x 1-1/2"	10X15B	64181015*
1" x 2"	10X20B	CALL
1-1/2" x 1"	15X10B	64181510*
2" x 1"	20X10B	64182010*
2" x 1-1/2"	20X15B	64182015
2" x 3"	20X30B	64182030*
2-1/2" x 2"	25X20B	64182520
2-1/2" x 3"	25X30B	64182530
3" x 2"	30X20B	64183020
3" x 2-1/2"	30X25B	64183025
3" x 4"	30X40B	64183040*
4" x 2"	40X20B	64184020*
4" x 3"	40X30B	64184030
5" x 3"	50X30B	CALL



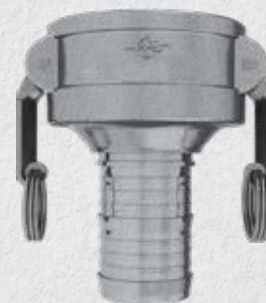
CAM AND GROOVE FITTINGS CONTINUED

REDUCER FITTINGS CONTINUED

PART C REDUCER

COUPLER X HOSE SHANK		ALUMINUM	BRASS
SIZE	PART NAME	ITEM #	ITEM #
1/2" x 3/4"	05X07C	CALL	62220107
1" x 3/4"	10X07C	CALL	CALL
1-1/4" x 1-1/2"	12X15C	CALL	62221215
1-1/2" x 1"	15X10C	60221510	62221510
1-1/2" x 2"	15X20C	60221520	62221520
2" x 1-1/2"	20X15C	60222015	62222015
2" x 2-1/2"	20X25C	60222025	62222025
2-1/2" x 1-1/2"	25X15C	60222515	CALL
2-1/2" x 2"	25X20C	60222520	CALL
3" x 1"	30X10C	60223010	CALL
3" x 1-1/2"	30X15C	60223015*	CALL
3" x 2"	30X20C	60223020	62223020
3" x 2-1/2"	30X25C	60223025	62223025
3" x 4"	30X40C	60223040*	CALL
3" x 5"	30X50C	60223050	CALL
4" x 2"	40X20C	60224020	62224020
4" x 2-1/2"	40X25C	60224025*	62224025
4" x 3"	40X30C	60224030	62224030
4" x 5"	40X50C	60224050	CALL
5" x 3"	50X30C	60225030*	CALL
5" x 4"	50X40C	60225040*	CALL
6" x 3"	60X30C	60226030	CALL
6" x 4"	60X40C	CALL	CALL
6" x 5"	60X50C	CALL	CALL
8" x 6"	80X60C	CALL	CALL
8" x 10"	80X100C	60228090*	CALL
10" x 8"	100X80C	60229080	CALL

COUPLER X HOSE SHANK		STAINLESS STEEL
SIZE	PART NAME	ITEM #
3/4" x 1/2"	07X05C	64220705
3/4" x 1"	07X10C	64220710
1" x 3/4"	10X07C	64221007*
1" x 1-1/2"	10X15C	64221015
1-1/2" x 1"	15X10C	64221510
1-1/2" x 2"	15X20C	64221520*
2" x 1"	20X10C	64222010*
2" x 1-1/2"	20X15C	64222015
2" x 2-1/2"	20X25C	64222025*
2-1/2" x 2"	25X20C	64222520*
3" x 2"	30X20C	64223020
3" x 2-1/2"	30X25C	64223025
3" x 4"	30X40C	64223040*
4" x 2"	40X20C	64224020*
4" x 3"	40X30C	64224030
4" x 5"	40X50C	64224050*
6" x 4"	60X40C	64226040
6" x 5"	60X50C	64226050*
8" x 6"	80X60C	64228060*



* RAGCO supports the autonomy of its locations to select the best products to service their markets. Subtle variations of these specifications may exist. Contact your RAGCO affiliate for confirmation.

REDUCER FITTINGS CONTINUED

PART D REDUCER

COUPLER X FEMALE NPT THREAD		ALUMINUM/ HBS	BRASS	STAINLESS STEEL
SIZE	PART NAME	ITEM #	ITEM #	ITEM #
1-1/2" x 1"	15X10D	60201510	62201510	64201510
1-1/2" x 1-1/4"	15X12D	CALL	62201512	64201512
1-1/2" x 2"	15X20D	60201520	CALL	CALL
2" x 1"	20X10D	60202010*	CALL	CALL
2" x 1-1/2"	20X15D	60202015	62202015	64202015
2-1/2" x 1"	25X10D	60202510	CALL	CALL
2-1/2" x 2"	25X20D	60202520	62202520	64202520*
2-1/2" x 3"	25X30D	60202530	CALL	CALL
3" x 1"	30X10D	60203010*	CALL	CALL
3" x 2"	30X20D	60203020	62203020	64203020
3" x 2-1/2"	30X25D	60203025	62203025	64203025
3" x 4"	30X40D	60203040*	CALL	64203040*
4" x 3"	40X30D	60204030	62204030	64204030
5" x 4"	50X40D	60205040*	CALL	64205040*
8" x 6"	80X60D	CALL	CALL	CALL



PART E REDUCER

ADAPTER X HOSE SHANK		ALUMINUM	BRASS	STAINLESS STEEL	HARD COAT ALUM
SIZE	PART NAME	ITEM #	ITEM #	ITEM #	ITEM #
1" x 1/2"	10X05E	CALL	CALL	64241005*	CALL
1" x 3/4"	10X07E	60241007	CALL	CALL	CALL
1" x 1-1/2"	10X15E	CALL	CALL	64241015	CALL
1-1/2" x 1"	15X10E	60241510	CALL	CALL	CALL
2" x 1"	20X10E	60242010*	CALL	CALL	CALL
2" x 1-1/2"	20X15E	60242015	62242015	64242015*	70242015
2" x 2-1/2"	20X25E	60242025	62242025	64242025*	CALL
3" x 2"	30X20E	60243020	62243020	64243020	70243020
3" x 2-1/2"	30X25E	60243025	62243025	64243025	CALL
4" x 3"	40X30E	60244030	62244030	64244030	70244030
4" x 5"	40X50E	60244050	CALL	CALL	CALL
5" x 4"	50X40E	60245040*	CALL	CALL	CALL
6" x 4"	60X40E	60246040*	CALL	64246040*	CALL
6" x 5"	60X50E	60246050*	CALL	CALL	CALL
8" x 6"	80X60E	60248060*	CALL	CALL	CALL
10" x 8"	100X80E	60249080*	CALL	CALL	CALL



CAM AND GROOVE FITTINGS CONTINUED

REDUCER FITTINGS CONTINUED

PART F REDUCER

ADAPTER X MALE NPT THREAD		ALUMINUM	BRASS	STAINLESS STEEL
SIZE	PART NAME	ITEM #	ITEM #	ITEM #
1" x 3/4"	10X07F	CALL	62161007	64341007
1" x 1-1/2"	10X15F	60161015	62161015	CALL
1" x 2"	10X20F	60161020	62161020	64161020
1 1/4" x 1-1/2"	12X15F	60161215	CALL	CALL
1-1/2" x 1"	15X10F	60161510	62161510	64161510
1-1/2" x 1-1/4"	15X12F	CALL	62161512	64161512
1-1/2" x 2"	15X20F	60161520	62161520	64161520
2" x 1"	20X10F	CALL	CALL	64162010*
2" x 1-1/2"	20X15F	60162015	62162015	64162015
2" x 2-1/2"	20X25F	60162025	CALL	64162025*
2" x 3"	20X30F	60162030	62162030	64162030
2-1/2" x 3"	25X30F	60162530	62162530	64162530*
2-1/2" x 4"	25X40F	CALL	62162540	CALL
3" x 1-1/2"	30X15F	60163015	62163015	64163015
3" x 2"	30X20F	60163020	62163020	64163020
3" x 2-1/2"	30X25F	60163025	62163025	64163025*
3" x 4"	30X40F	60163040	62163040	64163040
4" x 2"	40X20F	60164020	62164020	64164020*
4" x 2-1/2"	40X25F	60164025	62164025	CALL
4" x 3"	40X30F	60164030	62164030	64164030
5" x 4"	50X40F	60165040	62165040	CALL



COUPLER X ADAPTER REDUCER

COUPLER X ADAPTER		BRASS	STAINLESS STEEL
SIZE	PART NAME	ITEM #	ITEM #
3/4" X 2"	07CX20A LONG	CALL	64260720
1" x 3/4"	10CX07A LONG	CALL	64261007*
1" x 1-1/2"	10CX15A LONG	62261015	64261015*
1" x 2"	10CX20A LONG	CALL	64261020*
1" x 3"	10CX30A LONG	CALL	64261030*
1-1/2" X 1"	15CX10A LONG	62261510	64261510
1-1/2" x 2"	15CX20A LONG	62261520	64261520
1-1/2" x 3"	15CX30A LONG	CALL	64261530*
1-1/2" x 4"	15CX40A LONG	62261540	CALL
2" x 3/4"	20CX07A LONG	CALL	64262007*
2" x 1"	20CX10A LONG	62262010	CALL
2" x 1-1/4"	20CX12A LONG	CALL	64262012
2" x 1-1/2"	20CX15A LONG	62262015	64262015
2" x 2"	20CX20A LONG	CALL	64262020*
2" x 2-1/2"	20CX25A LONG	CALL	64262025*
2" x 3"	20CX30A LONG	62262030	64262030
2" x 4"	20CX40A LONG	CALL	64262040*
2-1/2" x 2"	25CX20A LONG	62262520	64262520*
2-1/2" x 3"	25CX30A LONG	CALL	64262530*
2-1/2" x 4"	25CX40A LONG	62262540	64262540*
3" x 1"	30CX10A LONG	CALL	64263010*
3" x 1-1/2"	30CX15A LONG	62263015	CALL
3" x 2"	30CX20A LONG	62263020G	64263020
3" x 2-1/2"	30CX25A LONG	62263025	CALL
3" x 4"	30CX40A LONG	62263040	64263040
3" x 6"	30CX60A LONG	CALL	CALL
4" x 2-1/2"	40CX25A LONG	62264025	CALL
4" x 3"	40CX30A LONG	62264030G	64264030
4" x 5"	40CX50A LONG	62264050	64264050*
4" x 6"	40CX60A LONG	CALL	64264060*
5" x 4"	50CX40A LONG	62265040	64265040
5" X 6"	50CX60A LONG	CALL	64265060*
6" x 1-1/2"	60CX15A LONG	CALL	CALL
6" x 2"	60CX20A LONG	CALL	64266020*
6" x 3"	60CX30A LONG	CALL	64266030*
6" x 4"	60CX40A LONG	CALL	64266040
6" x 5"	60CX50A LONG	CALL	64266050
8" x 4"	80CX40A LONG	CALL	64268040*
8" x 6"	80CX60A LONG	CALL	64268060*

* RAGCO supports the autonomy of its locations to select the best products to service their markets. Subtle variations of these specifications may exist. Contact your RAGCO affiliate for confirmation.

REDUCER FITTINGS CONTINUED

COUPLER X ADAPTER REDUCER (CONTINUED)

COUPLER X ADAPTER	ALUMINUM	
SIZE	PART NAME	ITEM #
1" x 3/4"	10CX07A LONG	60261007*
1" x 1-1/2"	10CX15A LONG	60261015
1-1/4" x 1-1/2"	12CX15A LONG	60261215
1-1/4" x 2"	12CX20A LONG	60261220*
1-1/2" x 1"	15CX10A LONG	60261510
1-1/2" x 1-1/4"	15CX12A LONG	60261512*
1-1/2" x 2"	15CX20A LONG	60261520
1-1/2" x 2-1/2"	15CX25A LONG	60261525*
1-1/2" x 3"	15CX30A LONG	60261530
1-1/2" x 4"	15CX40A LONG	60261540*
2" x 3/4"	20CX07A LONG	60262007
2" x 1"	20CX10A LONG	60262010
2" x 1-1/4"	20CX12A LONG	60262012
2" x 1-1/2"	20CX15A LONG	60262015
2" x 2-1/2"	20CX25A LONG	60262025*
2" x 3"	20CX30A LONG	60262030
2" x 4"	20CX40A LONG	60262040
2-1/2" x 2"	25CX20A LONG	60262520
2-1/2" x 2-1/2"	25CX25A LONG	60262525
2-1/2" x 3"	25CX30A LONG	60262530*
2-1/2" x 4"	25CX40A LONG	60262540
3" x 1-1/2"	30CX15A LONG	60263015

COUPLER X ADAPTER	ALUMINUM	
SIZE	PART NAME	ITEM #
3" x 2"	30CX20A LONG	60263020G
6" x 3"	60CX30A LONG	CALL
6" x 4"	60CX40A LONG	CALL
6" x 5"	60CX50A LONG	CALL
6" x 8"	60CX80A LONG	60266080*
8" x 4"	80CX40A LONG	60268040*
8" x 6"	80CX60A LONG	60268060G*
12" x 6"	120CX60A LONG	CALL
3" x 2-1/2"	30CX25A LONG	60263025
3" x 4"	30CX40A LONG	60263040
3" x 5"	30CX50A LONG	60263050
3" x 6"	30CX60A LONG	60263060*
4" x 1-1/2"	40CX15A LONG	60264015
4" x 2"	40CX20A LONG	60264020G
4" x 2-1/2"	40CX25A LONG	60264025
4" x 3"	40CX30A LONG	CALL
4" x 4"	40CX40A LONG	60264040
4" x 5"	40CX50A LONG	60264050
4" x 6"	40CX60A LONG	60264060
5" x 4"	50CX40A LONG	60265040
5" X 6"	50CX60A LONG	60265060*
6" x 2"	60CX20A LONG	CALL



REDUCER FITTINGS CONTINUED

COUPLER X COUPLER

COUPLER X COUPLER		ALUMINUM	BRASS	STAINLESS STEEL
SIZE	PART NAME	ITEM #	ITEM #	ITEM #
1" x 1"	10CX10C	60271010	62271010	64271010
1-1/4" x 1-1/4"	12CX12C	60271212	CALL	64271220*
1-1/2" x 1-1/2"	15CX15C	60271515	62271515	64271515
2" x 1-1/2"	20CX15C	60272015*	CALL	64272015*
2" x 2"	20CX20C	60272020	62272020	64272020
2-1/2" x 2"	25CX20C	60272520*	CALL	CALL
2-1/2" x 2-1/2"	25CX25C	60272525	62272525	64272525*
3" x 2"	30CX20C	60273020	62273020	64273020
3" x 2-1/2"	30CX25C	60272530	CALL	64272530*
3" x 3"	30CX30C	60273030	62273030	64273030
4" x 2"	40CX20C	60274020	CALL	64274020
4" x 3"	40CX30C	60274030	62274030	64273040
4" x 4"	40CX40C	60274040	62274040	64274040
5" x 4"	50CX40C	60275040*	CALL	64275040*
5" x 5"	50CX50C	60275050*	CALL	CALL
6" x 2"	60CX20C	60276020*	CALL	CALL
6" x 4"	60CX40C	60276040*	CALL	CALL
6" x 5"	60CX50C	60276050*	CALL	CALL
8" x 4"	80CX40C	60278040*	CALL	CALL
8" x 6"	80CX60C	60278060	CALL	CALL
8" x 8"	80CX80C	60278080	CALL	CALL



* RAGCO supports the autonomy of its locations to select the best products to service their markets. Subtle variations of these specifications may exist. Contact your RAGCO affiliate for confirmation.

REDUCER FITTINGS CONTINUED

SA SPOOL ADAPTER - ADAPTER X ADAPTER

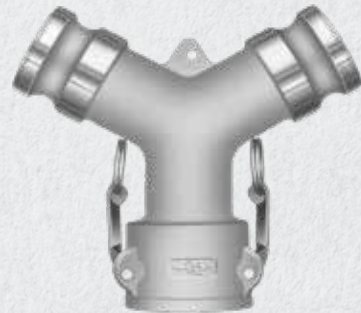
ADAPTER X ADAPTER		ALUMINUM	BRASS	STAINLESS STEEL	DUCTILE IRON	HARD COAT ALUM
SIZE	PART NAME	ITEM #	ITEM #	ITEM #	ITEM #	ITEM #
1/2" x 1/2"	SAE05XE05	60280101	62280101	64280101	CALL	CALL
3/4" x 3/4"	SA07X07	60280707	62280707	64280707	CALL	70280707
1" x 3/4"	SA10X07	60281007	62281007	CALL	CALL	CALL
1" x 1"	SA10X10	60281010	62281010	64281010	68281010	70281010
1" x 1 1/2"	SA10X15	60281015	62281015	64281015*	CALL	70281015
1" x 2"	SA10X20	CALL	62281020	64281020*	CALL	CALL
1" x 3"	SA10X30	CALL	62281030	CALL	CALL	CALL
1-1/4" x 1-1/4"	SA12X12	60281212	62281212	64281212	CALL	70281212
1-1/4" x 1-1/2"	SA12X15	60281215	62281215	64281215	CALL	CALL
1-1/2" x 1-1/2"	SA15X15	60281515	62281515	64281515	68281515	70281515
1-1/2" x 2"	SA15X20	60281520	62281520	64281520	68281520	70281520
1-1/2" x 4"	SA15X40	60281540	62281540	CALL	CALL	CALL
2" x 3/4"	SA20X07	60282007	CALL	CALL	CALL	CALL
2" x 2"	SA20X20	60282020	62282020	64282020	68282020	70282020
2" x 2-1/2"	SA20X25	60282025	62282025	CALL	CALL	70282025
2" x 3"	SA20X30	60282030	62282030	64282030	68282030	70282030
2-1/2" x 2"	SA25X20	CALL	CALL	64282520*	CALL	CALL
2-1/2" x 2-1/2"	SA25X25	60282525	62282525	64282525	68282525	CALL
2-1/2" x 3"	SA25X30	60282530	62282530	64282530	68282530	70282530
3" x 1-1/2"	SA30X15	60283015	62283015	64283015*	CALL	70283015
3" x 3"	SA30X30	60283030	62283030	64283030	68283030	70283030
3" x 4"	SA30X40	60283040	62283040	64283040	68283040	70283040
4" x 2"	SA40X20	60284020	62284020	64284020	CALL	70284020
4" x 4"	SA40X40	60284040	62284040	64284040	68284040	70284040
5" x 4"	SA50X40	60285040	CALL	64285040*	68285040	CALL
5" x 5"	SA50X50	60285050	62285050	64285050	68285050	CALL
6" x 3"	SA60X30	60286030	CALL	64286030*	CALL	70286030
6" x 4"	SA60X40	60286040	62286040	64284060*	68286040	70286040
6" x 5"	SA60X50	60286050*	CALL	CALL	CALL	CALL
6" x 6"	SA60X60	60286060	62286060	64286060*	CALL	70286060
6" x 8"	SA60X80	60286080*	CALL	CALL	CALL	CALL
8" x 4"	SA80X40	60288040*	CALL	CALL	CALL	CALL
10" x 6"	SA100X60	60289060*	CALL	CALL	CALL	CALL
10" x 8"	SA100X80	60289080*	CALL	CALL	CALL	CALL



Y & T FITTINGS

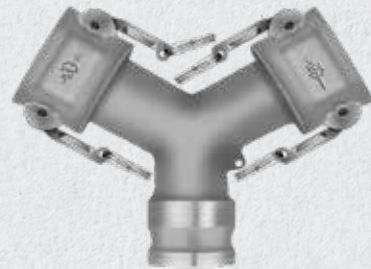
COUPLER X ADAPTER X ADAPTER "Y" FITTING

		ALUMINUM	BRASS	STAINLESS STEEL
SIZE	PART NAME	ITEM #	ITEM #	ITEM #
2"	20CX20AY	60592020	62592020	64592020
3" x 2"	30CX20AY	CALL	CALL	64593020*
3"	30CX30AY	CALL	CALL	64593030*
4"	40CX40AY	60594040*	CALL	CALL
6"	60CX60AYHD	60596060	CALL	CALL
6" x 6" x 4"	60CX60AX40AYHD	60596064	CALL	CALL



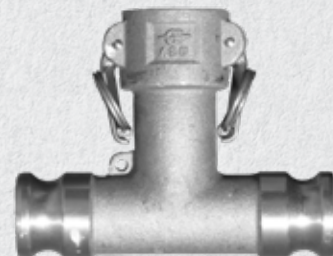
COUPLER X COUPLER X ADAPTER "Y" FITTING

		ALUMINUM	BRASS
SIZE	PART NAME	ITEM #	ITEM #
2"	20AX20CY	60312020	62312020
4"	40AX40CY	60594140	CALL
6" x 4"	60AX40CYHD	60596041	CALL
6"	60AX60CYHD	60596061	CALL



COUPLER X ADAPTER X ADAPTER "T" FITTING

		ALUMINUM
SIZE	PART NAME	ITEM #
1-1/2"	15AX15AX15CT	60591515
2"	2AX20AX20CT	CALL
3"	30AX30AX30CT	CALL



* RAGCO supports the autonomy of its locations to select the best products to service their markets. Subtle variations of these specifications may exist. Contact your RAGCO affiliate for confirmation.

FITTING X FLANGE

COUPLER X FLANGE

		ALUMINUM/ BRASS HANDLES	ALUMINUM/ STAINLESS STEEL HANDLES	BRASS	STAINLESS STEEL
SIZE	PART NAME	ITEM #	ITEM #	ITEM #	ITEM #
3/4" X 1"	PF07X10C	CALL	CALL	CALL	64540710
1"	PF10C*	CALL	60541000*	CALL	64541000
1-1/2"	PF15C	CALL	60541500	62541500	64541500
1-1/2" X 2"	PF15X20C	CALL	CALL	CALL	64541520
2"	PF20C	6054000070	60542000	62542000	64542000
2" X 3"	PF20X30C	CALL	CALL	CALL	64542030*
2-1/2"	PF25C	CALL	60542500	62542500	64542500*
2-1/2" X 3"	PF25X30C	CALL	CALL	62542530	CALL
2-1/2" X 4"	PF25X40C	CALL	CALL	62542540	64542540
3"	PF30C	6054000071	60543000	62543000	64543000
3" x 2"	PF30X20C	CALL	CALL	CALL	64543020*
3" x 4"	PF30X40C	CALL	CALL	CALL	64543040*
3" x 6"	PF30X60C	60543060*	CALL	CALL	CALL
4"	PF40C	6054000072	60544000	62544000	64544000
4" x 3"	PF40X30C	6054030	CALL	CALL	CALL
4" x 6"	PF40X60C	6054060	6054060	CALL	CALL
5"	PF50C	CALL	60545000*	CALL	64545000
6"	PF60C	60546000	CALL	62546000	64546000
6" x 8"	PF60X80C	CALL	CALL	CALL	CALL
8"	PF80C	6054000073	60548000	62548000	64548000
8" x 12"	PF80X120C	605408092	CALL	CALL	CALL
10"	PF100C	60549000	CALL	CALL	64549000
12"	PF120C	60549200	60549201	CALL	CALL



FITTING X FLANGE CONTINUED

ADAPTER X FLANGE

		ALUMINUM	BRASS	STAINLESS STEEL
SIZE	PART NAME	ITEM #	ITEM #	ITEM #
3/4"	PF07A	CALL	CALL	64520700*
1"	PF10A	60521000	CALL	64521000
1" x 2"	PF10X20A	CALL	CALL	64521020
1-1/4" X 1-1/2"	PF12X25A	CALL	CALL	64521215*
1-1/2"	PF15A	60521500	62521500	64521500
1-1/2" x 2"	PF15X20A	CALL	CALL	64521520*
1-1/2" x 3"	PF15X30A	CALL	CALL	64521530*
2"	PF20A	60522000	62522000	64522000
2" x 1-1/2"	PF20X15A	CALL	CALL	64522015*
2" x 2-1/2"	PF20X25A	CALL	CALL	64522025
2" x 3"	PF20X30A	CALL	CALL	64522030*
2" x 4"	PF20X40A	CALL	CALL	64522040
2-1/2"	PF25A	60522500	62522500	64522500
2-1/2" x 4"	PF25X40A	60522540	CALL	64522540
3"	PF30A	60523000	62523000	64523000
3" x 2"	PF30X20A	CALL	CALL	64523020
3" x 4"	PF30X40A	60523040	62523040	64523040*
3" x 6"	PF30X60A	60523060*	CALL	CALL
4"	PF40A	60524009	62524000	64524000
4" x 3"	PF40x30A	60524030	CALL	64524030*
4" x 6"	PF40X60A	60524060	CALL	64524060
4" x 8"	PF40X80A	60524080	CALL	CALL
5"	PF50A	60525000	62525000	64525000
6"	PF60A	60526000	62526000	64526000
6" x 8"	PF60X80A	60526080	CALL	CALL
8"	PF80A	60528000	62528000	64528000
8" x 4"	PF80X40A	60528040*	CALL	CALL
10"	PF100A	60529000	62529000	64529000
10" x 12"	PF100X120A	CALL	CALL	64529092*
12"	PF120A	60529200	62529200	64529200

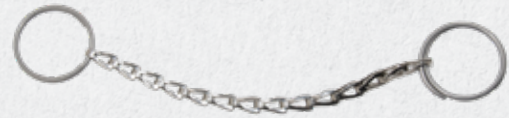


* RAGCO supports the autonomy of its locations to select the best products to service their markets. Subtle variations of these specifications may exist. Contact your RAGCO affiliate for confirmation.

FITTING ACCESSORIES

SECURITY CHAINS

		SS CHAIN W/SS HOOKS	SS CHAIN W/SS RINGS
LENGTH	PART NAME	ITEM #	ITEM #
6"	S56	5101060A	5101061A
8"	S51	5101080A	5101081A
12"	S52	5101092A	5101093A



		BRASS CHAIN W/SS HOOKS	BRASS CHAIN W/ZINC RINGS
LENGTH	PART NAME	ITEM #	ITEM #
6"	C51	5100560A	5100560B
12"	C52	5100592A	5105592A



STANDARD CAM ARM SETS

		BRASS		300 SERIES STAINLESS STEEL	
COUPLER SIZE	PART NAME	ITEM #	PART NAME	ITEM #	ITEM #
1/2 & 3/4"	HB10	5000505S	HBS10	5001505S	5001505S
1"	HB11	5000510S	HBS11	5001510S	5001510S
1-1/4"	HB12	5000512S	HBS12	5001512S	5001512S
1-1/2"	HB15	5000515S	HBS15	5001515S	5001515S
2 & 2-1/2"	HB20/25	5000520S	HBS20/25	5001520S	5001520S
3, 4, & 5"	HB30/40/50	5000530S	HBS30/40/50	5001530S	5001530S
6, 8, 10 & 12"	HB60/80	5000560S	HBS60/80	CALL	CALL



CAM ARM RINGS

		STAINLESS STEEL	ZINC PLATED STEEL	BRASS CHAIN W/ ZINC RINGS
SIZE	ITEM #	ITEM #	ITEM #	ITEM #
1/2" - 2-1/2" Small Rings	5201005	5201505	5100560B	5100560B
3" - 12" Large Rings	5201030	5201530	5105592A	5105592A



CAMLOCK GASKETS

REPLACEMENT GASKETS

	STANDARD BUNA		EXTRA FUEL RESISTANT BUNA		NEOPRENE		VITON		SILICONE	
SIZE	PART NAME	ITEM #	PART NAME	ITEM #	PART NAME	ITEM #	PART NAME	ITEM #	PART NAME	ITEM #
1/2"	B05Y	5500205	CALL	CALL	N05Y	5500405	V05Y	5500805	S05Y	5502205
3/4"	B01	5500207	B01F	5500207F	N01	5500407	V01	5500807	S01	5502207
1"	B02	5500210	B02F	5500210F	N02	5500410	V02	5500810	S02	5502210
1-1/4"	B03	5500212	B03F	5500212F	N03	5500412	V03	5500812	S03	5502212
1-1/2"	B04	5500215	B04F	5500215F	N04	5500415	V04	5500815	S04	5502215
2"	B05	5500220	B05F	5500220F	N05Y	5500420	V05Y	5500820	S05	5502220
2-1/2"	B06	5500225	B06F	5500225F	N06	5500425	V06	5500825	S06	5502225
3"	B07	5500230	B07F	5500230F	N07	5500430	V07	5500830	S07	5502230
4"	B08	5500240	B08F	5500240F	N08	5500440	V08	5500840	S08	5502240
5"	B09	5500250	B09F	5500250F	N09	5500450	V09	5500850	S011	5502280
6"	B010	5500260	B010F	5500260F	N010	5500460	V010	5500860	CALL	CALL
8"	B011	5500280	CALL	CALL	N011	5500480	V011	5500880	CALL	CALL
10"	B012	5500290	CALL	CALL	CALL	CALL	V012	5500890	CALL	CALL
12"	B013	5500292	CALL	CALL	CALL	CALL	CALL	CALL	CALL	CALL

Other materials including silicone, PTFE enveloped, EPDM, food grade, etc. are available. Contact your Ragco location for more info.

